



ARZ Z-Wave Roller Shutter



Read the instructions below carefully before proceeding to device operation in order to ensure its proper functioning!



Important information	3
Description of the roller shutter	4
Device programming / Additional information	5
Adding device to the network (controller) – INCLUDE function	5
Assigning device to operating buttons – ASSOCIATE function	5
Cooperation of devices from different manufacturers in Z-Wave	5
Adding device to the network operated by the controller of other manufacturer	5
Special function – ALL ON, ALL OFF	5
Manual operating	5
Signalling description / Technical parameters	6
Declaration of Performance	7
Declaration of Conformity / Warranty	8

FAKRO Sp. z o.o
Ul. Węgierska 144A
33-300 Nowy Sącz
Polska
www.fakro.com
tel. +48 18 444 0 444
fax. +48 18 444 0 333

Important information

Read the instructions below carefully before proceeding to device operation in order to ensure its proper functioning!

Please carefully read the instructions below before installing the device to avoid electric shock, laceration, etc.

While installing the roller shutter it is essential to comply with the following rules:

- After unpacking, check roller shutter elements for any signs of mechanical damage.
- Installation should be performed by a qualified individual following manufacturer's instructions.
- Before connecting the roller shutter, make sure that the power supply voltage corresponds with that provided on the data plate.
- Take the roller shutter out of the package, lay it out flat and connect (two-core cable – 12V DC). Verify its correct functioning by performing one full working cycle with the use of manual operating button.
- Plastic containers used for packing should be kept out of children's reach as they may be a potential source of hazard.
- The roller shutter should be used for its intended purpose in agreement with its design. FAKRO Company shall not be held responsible for any consequences resulting from improper roller shutter use.
- Any activities relating to cleaning, adjustment or disassembly of the roller shutter should be preceded with its disconnection from the mains.
- The roller shutter should not be cleaned using any solvent substances or open stream of water (do not immerse in water).
- Any roller shutter repairs should be carried out by the manufacturer's authorised service.
- The roller shutter is for external use only.
- In case of adverse weather conditions (frost, snow) operating the roller shutter may be impossible.

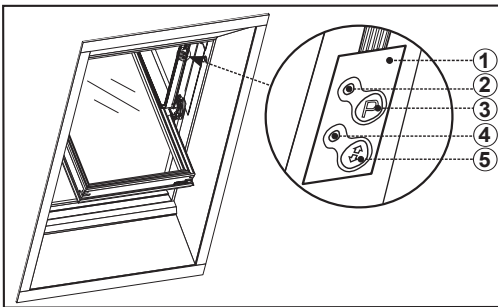
Description of the roller shutter

The ARZ Z-Wave roller shutters are intended for mounting onto FAKRO roof windows and have been adapted for cooperation with wireless control devices offered by FAKRO and other manufacturers offering products with Z-Wave logo. Roller shutters are equipped with a two-way radio communication module. For communication, the Z-Wave module utilizes radio wave frequency of 868,42 MHz.

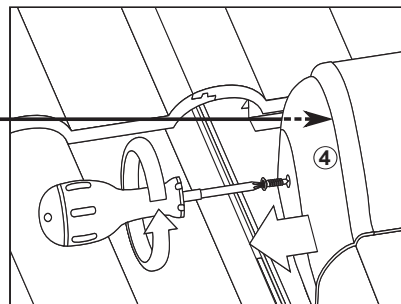
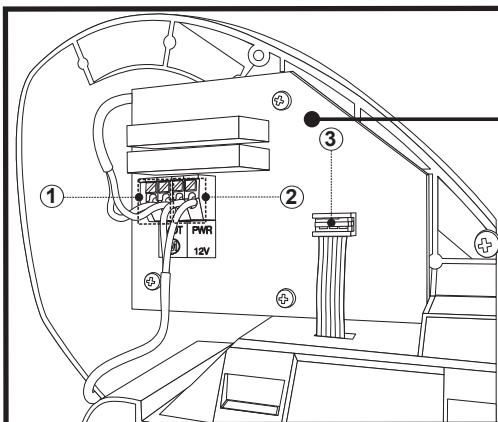
The ARZ Z-Wave roller shutters feature three limit switches:

- limit switch at unfolded shutter's armour position (outskirt)
- limit switch at folded shutter's armour position (outskirt)
- current limiting protecting the roller shutter against damage and the user against accidental injury as a result of contact with movable elements of the roller shutter.

To be able to operate the shutter, it is necessary to install it following the picture installation instructions included in the product package. Subsequently, the roller shutter should be programmed for one of the remote controls/controllers (e.g. ZWP10 remote, ZWK or ZWG keyboard) offered by FAKRO or any controller offered by other manufacturer equipped with the Z-Wave module. Below there is presented general view of the ARZ Z-Wave roller shutter with description of available buttons and indicators.



1. Control panel
2. Network status (LED 1)
3. Programming button
4. Motor working status (LED 2)
5. Manual operating button



1. 12VDC motor power
2. 12VDC power (free polarisation)
3. Place of connecting the control panel
4. Side shield under which the ZWR control module is located
5. Manual operating button

NOTE !!! Before proceeding to programming check whether the device is not already assigned to other network. It is indicated by network status LED diode.

Network status light-emitting LED diode informs that the device is not part of the network and can be added to any network. If the device is powered and network status LED diode does not emit light, it is necessary to perform EXCLUDE procedure.

Adding device to the network (controller) – INCLUDE function

In order for the device to communicate within the Z-Wave network it is essential to connect it to the network with the use of PRIMARY controller. The device can be added to the network as long as it does not belong to any other network.

Information how to initiate and perform INCLUDE procedure is to be found in the instructions of the controllers.

Assigning device to operating buttons – ASSOCIATE function

In case of some controllers after correct adding the device to the network it is necessary to assign them to the specific group of operating buttons used for controlling the device.

For this purpose use ASSOCIATE function.

Note! Information how to initiate and perform ASSOCIATE procedure is to be found in the instructions of the controllers.

Cooperation of devices from different manufacturers in Z-Wave network

Z-Wave allows to integrate devices of different manufacturers which can work in different groups; lighting, heating, domestic automation etc. Z-Wave devices operate as repeaters in the network, thus increasing the range of radio communication. The more devices in the network, the more reliable and more resistant to interference is performance of the devices within the network.

Adding device to the network operated by the controller of other manufacturer

Start the INCLUDE procedure with the controller of existing network and then press for 1 second “programming” button on the roller shutter being added to the network.

Note! Information how to initiate and perform INCLUDE and ASSOCIATE function with the use of controllers of other manufacturers is to be found in the instructions of these devices.

Special function – ALL ON, ALL OFF

It is possible to define whether the roller shutter has to respect “close all” or “open all” commands. It applies to controllers operating this function.

Note! Instructions how to define respecting functions “close all” and “open all” are to be found in instructions of the respective devices.

Manual operating

The “manual operating button” allows operating the ARZ Z-Wave roller shutter directly after connecting it to power supply. In order to control the roller shutter manually it is necessary to press twice manual operating button within 1.5 second. The buttons work sequentially e.g. start, stop, start in another way, stop, etc.

1. Pressing the button twice for the first time after connecting the power supply will unfold the roller shutter's armour.
2. Pressing the button twice for the second time will stop the roller shutter's armour.
3. Pressing the button twice for the third time will fold the roller shutter's armour.

Signalling description / Technical parameters

Signalling description

Motor working status		Network status	
Triple flashing of the motor status LED	Current consumed by the roller shutter motor is too high. It may be caused by lingering snow, ice, leaves, etc. on the shutter's armour. It is necessary to clean the armour and guides. In case of problems with operation please contact with FAKRO service.	LED continuously on	The device has not been associated with any network, i.e. remote control of the device is not possible. This LED is always on after connecting the power supply to a brand new roller shutter It is switched off after adding the device to the network by means of the "INCLUDE" function.

Technical parameters

Technical parameters	
Parameter	ARZ Z-Wave roller shutter motor
Power voltage	12V DC
Rated voltage	1,4 A
Speed	23 r.p.m
Power cable	2 x 0,75 mm ²

Declaration of Conformity/ Warranty

Declaration of Conformity



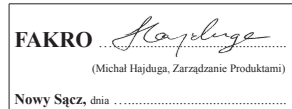
Declaration of Conformity

in accordance with directive 2006/95/EEC

We FAKRO Sp. z o.o., 144a Węgierska St. declare that the product: ARZ Z-Wave roller shutter:

- is compliant with the requirements of 2004/108/EEC directive concerning electromagnetic compatibility;
- is compliant with the requirements of 1999/5/EEC directive concerning radio devices and final telecommunication equipment and mutual recognition of their conformity;
- is compliant with the requirements of 2006/95/EEC directive concerning electric equipment designed for use within certain voltage limits;
- has been manufactured according to harmonized standards PN-EN 300220-2, PN-EN 301489-3, PN-EN 55014-1, PN-EN 55014-2, PN-EN 60335-2-97, PN-EN 60335-1;

The ARZ Z-Wave roller shutter is considered to be a machine that can be introduced to use only after installation performed according to installation and user instructions.



Warranty

The manufacturer guarantees correct device functioning. It also undertakes to repair or replace damaged device if its defects result from material or structural faults. The warranty period is 24 months from the purchase date, fulfilling the following conditions:

- Installation has been performed by an authorised individual, as per manufacturer recommendations.
- Seals remain intact and no unauthorised structural changes have been made.
- The device has been used in accordance with its intended use as per user manual.
- Damage is not a result of improperly made electrical system or atmospheric phenomena.
- The manufacturer is not liable for damage which occurred as a result of improper use or mechanical damage.

In case of failure, the device must be submitted for repair with a Warranty Card. Defects revealed within the warranty period will be removed free of charge no longer than 14 days after accepting the product for repair. Warranty and post-warranty repairs are performed by the manufacturer i.e. FAKRO PP. Sp. z o.o.

Quality certificate:

Device

Model.....

Serial Number.....

Seller.....

Address.....

Date of Purchase.....

.....

Signature (stamp) of installing person